

# Adventurer™ Pro

Analytical and Precision Balances



**Adventurer™ Pro**  
Analytical and Precision Balances



## The Ohaus Adventurer™ Pro – The Most Complete Balance in Its Class!

Since its introduction, the Ohaus Adventure™ Pro has established itself as the industry's most versatile balance. It counts, it sums, it holds and it delivers traceable results. Now, we're taking versatility to the next level by expanding the Adventurer Pro line to include a full range of Analytical and High Precision models. No other balance in its class offers all these features in a compact design:

- **Easy Access, Frameless Draftshield with Removable Doors** – All doors, including the front and back glass panels, disassemble in seconds, and together with a stainless steel bottom, make it fast and easy to clean.
- **SmarText™ Software Guides Users Through Balance Use** – SmarText™ is Ohaus' easy to use balance software that utilizes text prompts to guide users through application use and balance setup.
- **QuadraStance™ Design Provides Superior Footprint Stability** – To enhance weighing stability, QuadraStance incorporates four feet to provide superior footprint stability on any surface.
- **Flexibility of Available Options** – Ensure weighing accuracy with InCal™ internal calibration. A factory installed USB or second RS232 interface allows connection to multiple peripherals.

## General Specifications

Weighing Units*	Milligram, Gram, Kilogram, Ounce, Pound, Carat, Pennyweight, Ounce Troy, Grain, Newton, Hong Kong Tael, Singapore Tael, Taiwan Tael, Momme, Tical, Baht, Mesghal, Tola, Custom
Application Modes	Weighing, Animal /Dynamic Weighing, Parts Counting with Automatic Sample Recalibration, Percent Weighing, Checkweighing, Totalization, Display Hold
Tare Range	To capacity by subtraction
Operating Temperature Range	50° - 86°F / 10° - 30°C
Calibration	Digital with External Weight (non-"C" models) Digital with Internal Weight ("C" models with InCal option)
Display Type	2-Line Alphanumeric Backlit LCD Display
Display Size (in/cm)	4 x 1 / 10 x 2.5

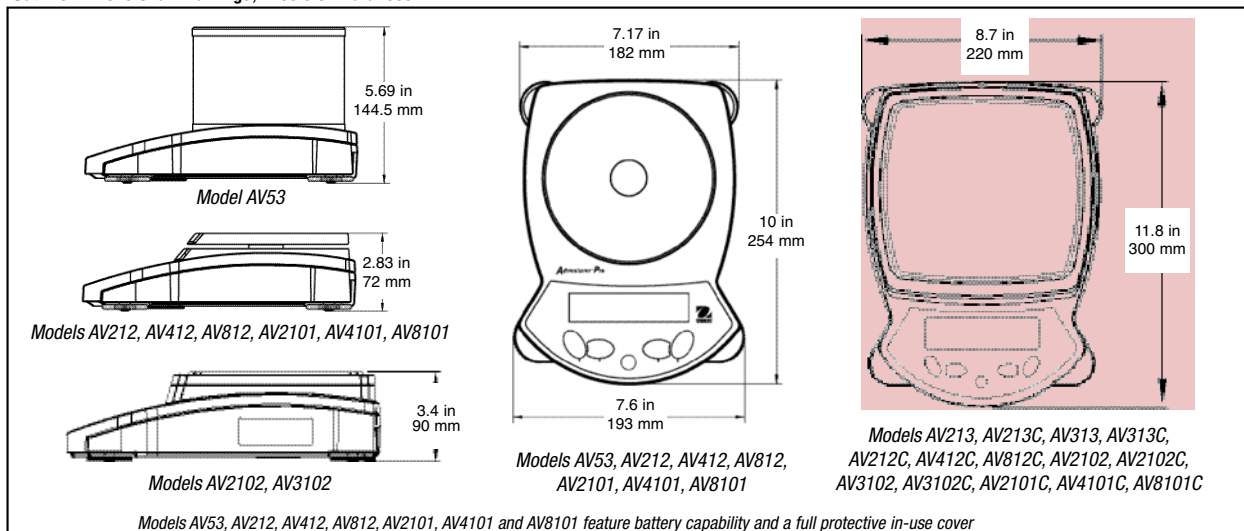
\* Milligram unit available on 0.1mg to 1mg models  
Kilogram and Pound units available on 0.01g to 0.1g models

## Technical Specifications, Precision Balances

Capacity (g)	51	210	310	210	410	810	2100	3100	2100	4100	8100	
Readability (g)		0.001				0.01				0.1		
Repeatability (Std. dev.) (g)		0.001				0.01				0.1		
Linearity (g)		± 0.002				± 0.02				± 0.2		
Stabilization Time (seconds)	2.5	3		1.5*		3				2*		
Power Requirements w/ InCal	Not Available	AC Adapter (Included)										
Power Requirements w/o InCal	AC Adapter (Included) or 4 AA Batteries (not Included)	AC Adapter (Included)	AC Adapter (Included) or 4 AA Batteries (Not Included)			AC Adapter (Included)	AC Adapter (Included) or 4 AA Batteries (Not Included)					
Draftshield Type with Height Over Pan (in/cm)	Round: 2.75 / 7	Square: 4.5 / 11.5	None									
Pan Size with InCal (in/cm)	Not Available	4.7 / 12 dia.				6.6 x 7.1 / 16.8 x 18						
Pan Size without InCal (in/cm)	3.9 / 10 dia.	4.7 / 12 dia.			5.8 x 6.3 / 14.9 x 16.2	6.6 x 7.1 / 16.8 x 18	5.8 x 6.3 / 14.9 x 16.2					
Balance Dimensions w/ InCal W x H x D (in/cm)	Not Available	8.7 x 7.5 x 11.8 / 22 x 19 x 30			8.7 x 3.3 x 11.8 / 22 x 8.5 x 30							
Balance Dimensions w/o InCal W x H x D (in/cm)	7.6 x 5.7 x 10 / 19.3 x 14.5 x 25.4	8.7 x 7.5 x 11.8 / 22 x 19 x 30		7.6 x 2.8 x 10 / 19.3 x 7.2 x 25.4		8.7 x 3.3 x 11.8 / 22 x 8.5 x 30		7.6 x 2.8 x 10 / 19.3 x 7.2 x 25.4				
Shipping Dimensions w/ InCal W x H x D (in/cm)	Not Available	15.5 x 16 x 19.5 / 39 x 41 x 50			15.5 x 13 x 19.5 / 39 x 33 x 50							
Shipping Dimensions w/o InCal W x H x D (in/cm)	10.9 x 10.9 x 15.2 / 27.6 x 27.6 x 38.5	15.5 x 16 x 19.5 / 39 x 41 x 50		10.9 x 6.3 x 15.2 / 27.6 x 16 x 38.5		15.5 x 13 x 19.5 / 39 x 33 x 50		10.9 x 6.3 x 15.2 / 27.6 x 16 x 38.5				
Net Weight w/ InCal (lb/kg)	Not Available	8.2 / 3.7		5.7 / 2.6	7.5 / 3.4		6.9 / 3.2		7.7 / 3.5			
Net Weight w/o InCal (lb/kg)	3.1 / 1.4	7.3 / 3.3		2.6 / 1.2		3.3 / 1.5		6.1 / 2.8		3.5 / 1.6		
Shipping Wt w/ InCal (lb/kg)	Not Available	14.6 / 6.6		11.9 / 5.4		13.7 / 6.2		13.4 / 6.1		13.9 / 6.3		
Shipping Wt w/o InCal (lb/kg)	5.7 / 2.6	13.7 / 6.2		4.8 / 2.2		5.3 / 2.4		12.6 / 5.7		5.5 / 2.5		
Item Number w/ InCal Internal Calibration	Not Available	AV213C	AV313C	AV212C	AV412C	AV812C	AV2102C	AV3102C	AV2101C	AV4101C	AV8101C	
Item Number w/o InCal Internal Calibration	AV53	AV213	AV313	AV212	AV412	AV812	AV2102	AV3102	AV2101	AV4101	AV8101	

\*Note: Models AV212C, AV2101C, AV4101C and AV8101C have a stabilization time of 3 seconds

## Outline Dimensional Drawings, Precision Balances

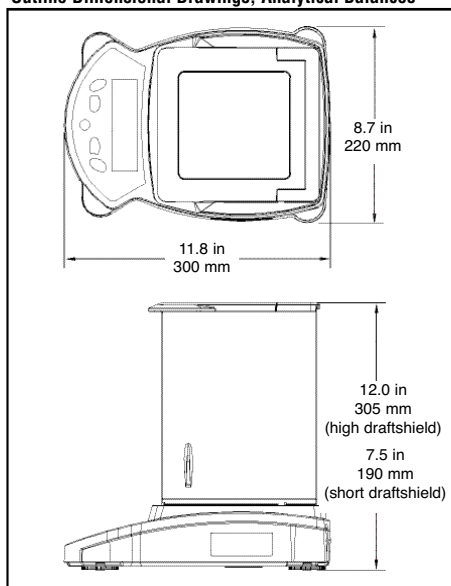


# Adventurer™ Pro Balances

## Technical Specifications, Analytical Balances

Capacity (g)	65	110	260
Readability (mg)	0.1		
Repeatability (Std. dev.) (mg)	0.1		
Linearity (mg)	± 0.2	± 0.3	
Stabilization Time (seconds)	3		
Power Requirements	AC Adapter (Included)		
Draftshield Type w/ Height Over Pan (in/cm)	Square: 8.6 / 22		
Pan Size (in/cm)	3.5 / 9 dia.		
Balance Dimensions W x H x D (in/cm)	8.7 x 12 x 11.8 / 22 x 30.5 x 30		
Shipping Dimensions W x H x D (in/cm)	15.5 x 20.5 x 19 / 39 x 52.5 x 50		
Net Weight w/InCal (lb/kg)	9.6 / 4.4		
Net Weight w/o InCal (lb/kg)	8.7 / 4		
Shipping Weight w/ InCal (lb/kg)	16.2 / 7.4		
Shipping Weight w/o InCal (lb/kg)	15.3 / 7		
<b>Model Number w/ InCal Internal Calibration</b>	<b>AV64C</b>	<b>AV114C</b>	<b>AV264C</b>
<b>Model Number w/o InCal Internal Calibration</b>	<b>AV64</b>	<b>AV114</b>	<b>AV264</b>

## Outline Dimensional Drawings, Analytical Balances



## Other Standard Features and Equipment

Stability indicator, mechanical and software overload/underload protection, low battery indicator, AC adapter, user selectable span calibration points, auto tare, user selectable printing options, user selectable communications settings, user selectable data print options, user definable project and user ID's, software reset menu, software lockout menu

## Approvals

CE, FCC, cUL<sub>US</sub>, cCSA<sub>US</sub>, NRTL

C Tick

CB Scheme

IP33 (without Power Adapter; with Pan put on)

IP20 (with Power Adapter, with Pan put on)

## Options and Accessories

## Ohaus Number

USB Interface .....	Contact Ohaus for Details
2nd RS232 Comm Port .....	Contact Ohaus for Details
Impact printer, 42 column .....	SF42
RS232 cable, SF42 printer .....	80500571
SF42 printer paper (5 pack) .....	12101511
SF42 printer ribbon .....	12101512
RS232 cable, IBM 9 pin .....	80500525
RS232 cable, IBM 25 pin .....	80500524
Density determination kit for 0.1/1mg balances .....	470007-010
Security device .....	76288-01
TAL Software WinWedge V3.0 .....	SW12W
Calibration masses .....	Contact Ohaus for Full Offering
Sample Scoops .....	Contact Ohaus for Full Offering

## Industry Leading Quality and Support

All Ohaus Adventurer™ Pro balances are manufactured under an ISO 9001:2000 Registered Quality Management System. Our rugged construction and stringent quality control have been hallmarks of all Ohaus products for nearly a century.

## Ohaus Corporation

\*19A Chapin Road  
P.O. Box 2033  
Pine Brook, NJ 07058 USA

Tel: 800.672.7722

973.377.9000

Fax: 973.593.0359

www.ohaus.com

With offices throughout Europe,  
Asia, and Latin America

## \* ISO 9001: 2000

Registered Quality Management System

LUS05-05 © Copyright Ohaus Corporation

